



# UFO High Bay



The QLS UFO Hi Bay is a versatile solution for your indoor and outdoor high ceiling needs. Built with no glass parts and a shatterproof design, the UFO High Bay is a perfect option for food service or retail. Available in 3500K-5000K, this high bay comes standard with 90 CRI. An available shade helps to mimic the look and feel of the traditional metal halide lamps.

## FEATURES

- Post Painted, Durable Aluminum Frame
- IP65 Wet Location Rated
- Life: L70 50,000 Hours
- 10 Foot 16/3 SJOT Cord included
- 120-277 Volt
- Operating temperature: -5° to 130° Fahrenheit
- 400W HID Equivalent.
- High CRI/R9 Versions Available
- Precision Beam Spread

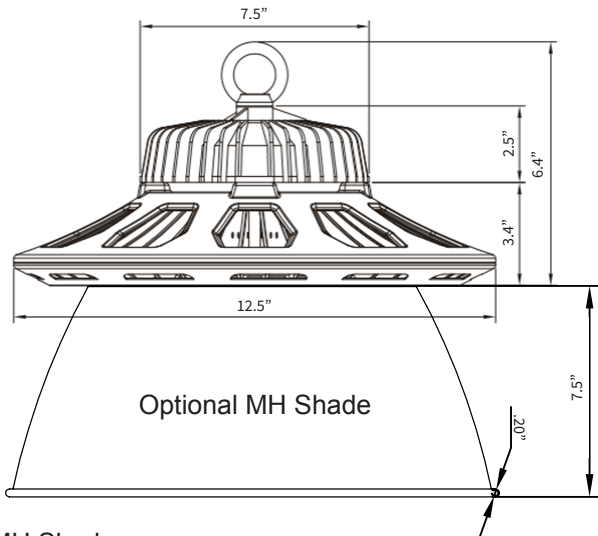
## APPLICATIONS

This product family can be effectively used in indoor or outdoor high ceiling locations in commercial, industrial, retail, or healthcare settings.

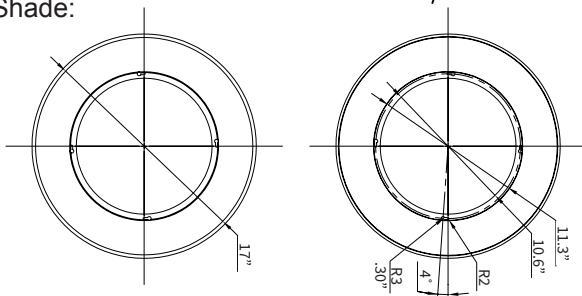
## OPTIONS/ACCESSORIES

- Emergency Backup
- MH Style Shade Kit

Image not to scale



MH Shade:



## ITEM NUMBER GUIDE

ex. HB20000135

Family	Lumen Pkg	Place-holder	CCT
HB	200	001	3500
			4000
			5000

↓ ↓ ↓ ↓  
HB 200 001 35

QLS	Watt.	Lumens	Eff L/W	Beam Spread	Volt.	P.F.	Dim.	CCT	CRI	Case QTY	Watt. Equiv.	Life	H (In)	W (In)
HB20000135	200	24000	120	120	120-277V	≥0.9	No	3500	90	1	400	50000	6.4	12.5
HB20000140	200	24000	120	120	120-277V	≥0.9	No	4000	90	1	400	50000	6.4	12.5
HB20000150	200	24000	120	120	120-277V	≥0.9	No	5000	90	1	400	50000	6.4	12.5