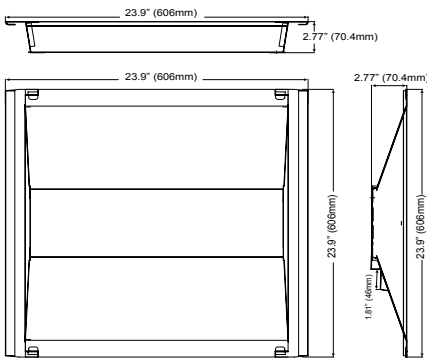
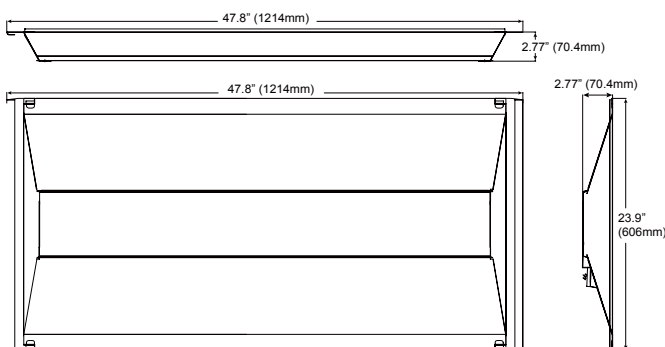




LTRK - 2x2



LTRK - 2x4



The QLS LED Troffer Retrofit is the quickest, easiest and most cost effective way to upgrade fluorescent troffers. This retrofit fits in the old frame. For some frames mounting hardware is required and can be ordered separately. To install, simply remove the lamps and ballast, attach the electrical cords and place inside. The styled plastic diffuser provides even, flicker-free light and the isolated ballast comes in dimming or non-dimming.

FEATURES

- Post powder coated steel frame
- Frosted polystyrene plastic lens
- Life: L70 50,000 hours
- Available in dimmable or non-dimmable
- AC 120-277 Volt
- Operating temperature: -5° to 130° Fahrenheit
- Wide beam spread
- 5 Year warranty with Labor
- Mounting brackets to be ordered separately

APPLICATIONS

This product family can be effectively used to upgrade existing 2x2 and 2x4 fluorescent troffers in indoor locations. Recommended for commercial, residential, or institutional settings such as restrooms, corridors, offices, stairwells, and hallways.

ITEM NUMBER GUIDE

ex. LTRK24ND2440

Family	Size	Dimmability	Watt.	CCT
LTRK	22	D	24	3500
	24	ND	32	4000
			40	5000

↓ ↓ ↓ ↓ ↓
LTRK 24 ND 24 40

QLS	Watt.	Lumens	Eff L/W	Volt.	P.F.	Dim.	CCT	CRI	Case QTY	Life	L (In)	H (In)	W (In)
2FT X 2FT TROFFER													
LTRK22ND4035K	40	4150	>110	AC120-277V	≥0.9	No	3500	80	1	50000	23.9	23.9	2.77
LTRK22ND4040K	40	4250	>110	AC120-277V	≥0.9	No	4000	80	1	50000	23.9	23.9	2.77
LTRK22ND4050K	40	4300	>110	AC120-277V	≥0.9	No	5000	80	1	50000	23.9	23.9	2.77
2FT X 4FT TROFFER													
LTRK24ND2435K	24	2850	>110	AC120-277V	≥0.9	No	3500	80	1	50000	47.8	23.9	2.77
LTRK24ND2440K	24	2900	>110	AC120-277V	≥0.9	No	4000	80	1	50000	47.8	23.9	2.77
LTRK24ND2450K	24	2900	>110	AC120-277V	≥0.9	No	5000	80	1	50000	47.8	23.9	2.77
LTRK24ND3235K	32	3650	>110	AC120-277V	≥0.9	No	3500	80	1	50000	47.8	23.9	2.77
LTRK24ND3240K	32	3750	>110	AC120-277V	≥0.9	No	4000	80	1	50000	47.8	23.9	2.77
LTRK24ND3250K	32	3800	>110	AC120-277V	≥0.9	No	5000	80	1	50000	47.8	23.9	2.77
LTRK24ND4035K	40	4350	>110	AC120-277V	≥0.9	No	3500	80	1	50000	47.8	23.9	2.77
LTRK24ND4040K	40	4450	>110	AC120-277V	≥0.9	No	4000	80	1	50000	47.8	23.9	2.77
LTRK24ND4050K	40	4500	>110	AC120-277V	≥0.9	No	5000	80	1	50000	47.8	23.9	2.77

OPTIONS/ACCESSORIES

- * 2x2 Troffer Mounting Bracket Set (Consists of 4 pcs) Item# OT-00044
- * 2x4 Troffer Mounting Bracket Set (Consists of 4 pcs) Item# OT-00043

* Each retrofit troffer kit requires one set of brackets